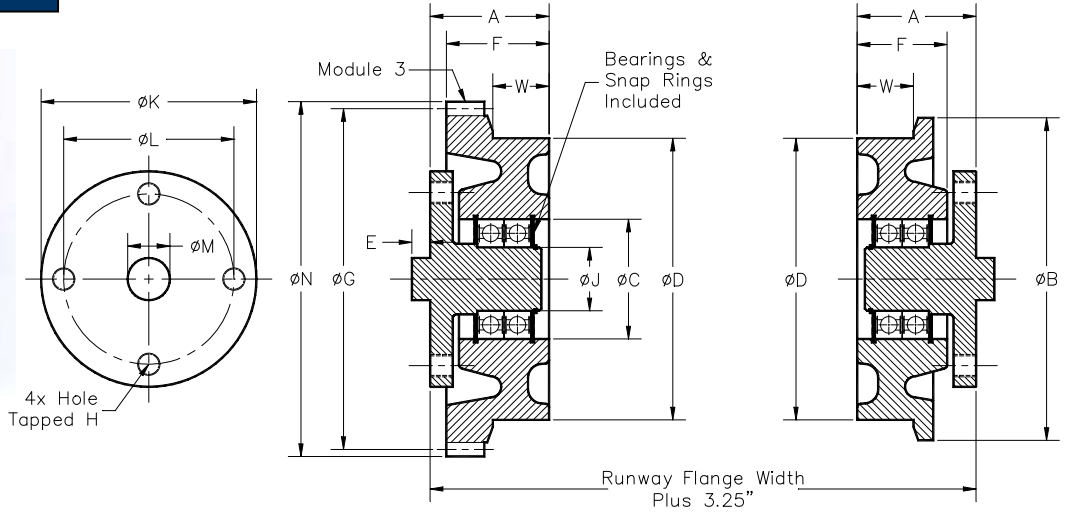


## Crane Wheels

### Single Flange Wheels



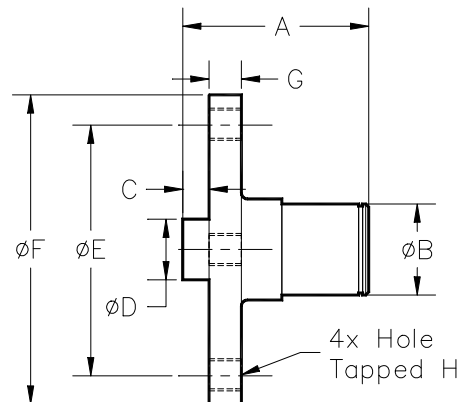
Model		A	B	C	D (Tread Dia.)	E	F	G (Pitch Dia.)	H	J (Axle Dia.)	K	L	M	N	W	No of Teeth	Gear Module	Max Wheel Load
SF130	mm	64	160	62	130	6	58	156	1/2-13NC	30	102	82	30	162	26	52	3	1497 kg
	in	2.52	6.30	2.44	5.12	0.24	2.28	6.14	1/2-13NC	1.18	4.02	3.23	1.18	6.38	1.02	52	3	3300 lbs
SF200	mm	76	229	85	200	13	73	247	5/8-11NC	45	153	121	30	252	40	82	3	2983 kg
	in	2.99	9.02	3.35	7.87	0.51	2.87	9.72	5/8-11NC	1.77	6.02	4.76	1.18	9.92	1.57	82	3	6578 lbs
SF315	mm	-	346	120	315	-	110	387	-	55	-	-	-	393	55	129	3	6338 kg
	in	-	13.62	4.72	12.40	-	4.33	15.24	-	2.17	-	-	-	15.47	2.17	129	3	13975 lbs

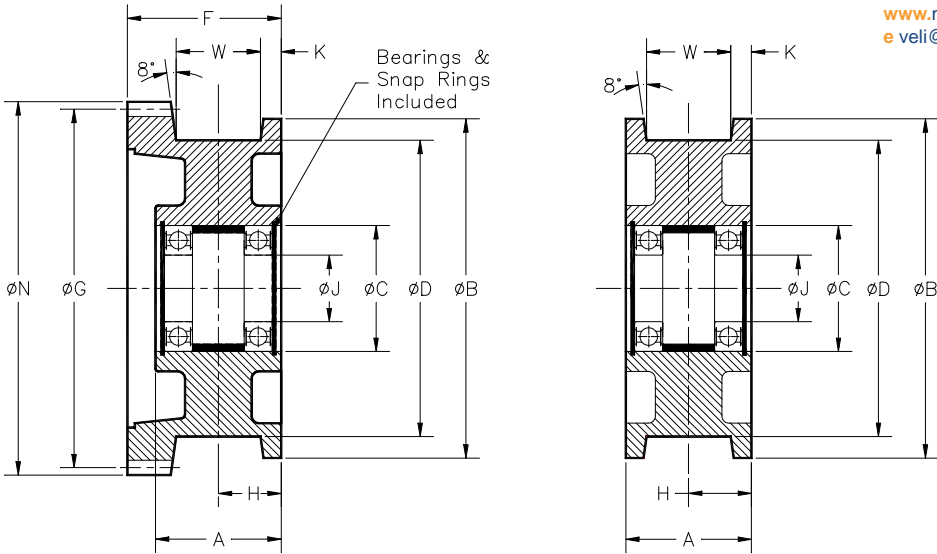
Flat or tapered tread available on SF130 and SF315

SF200 are supplied with a universal tread (combined flat and tapered). If dimensions are critical, please ask for engineered drawing of SF200 wheel.

### Axle Modules for Single Flange Wheels

Model		A	B (Axle Dia.)	C	D	E	F	G (Tapped)	
SFA30	mm	67	30	6	30	82	102	14	1/2-13NC
	in	2.64	1.18	0.24	1.18	3.23	4.02	0.55	1/2-13NC
SFA45	mm	90	45	13	30	121	153	16	5/8-11NC
	in	3.54	1.77	0.51	1.18	4.76	6.02	0.63	5/8-11NC



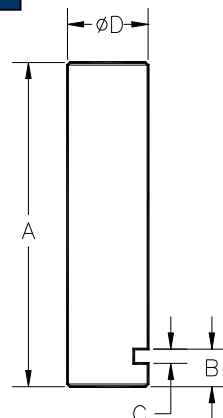


## Double Flange Wheels



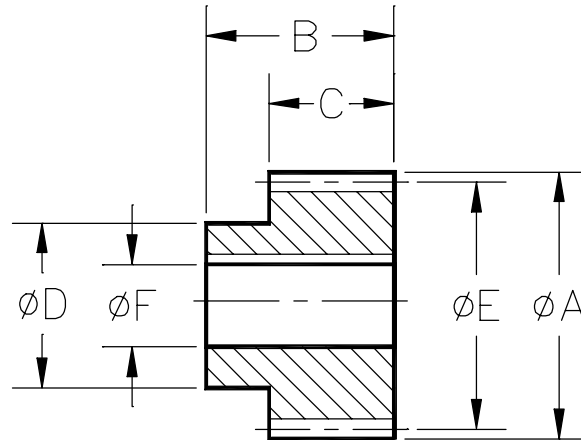
Model		A	B	C	D (Tread Dia.)	F	G (Pitch Dia.)	H	J (Axle Dia.)	K	N	W	No of Teeth	Gear Module	No of Brgs.	Max Wheel Load	Max Rail Width
DF120	mm	76	147	62	120	92	156	38	30	11	162	49	52	3	2	1836 kg	44 mm 1.75 in
	in	2.99	5.79	2.44	4.72	3.62	6.14	1.50	1.18	0.43	6.38	1.91	52	3	2	4048 lbs	
DF120B	mm	76	147	62	120	92	156	38	30	11	162	49	52	3	3	2932 kg	44 mm 1.75 in
	in	2.99	5.79	2.44	4.72	3.62	6.14	1.50	1.18	0.43	6.38	1.91	52	3	3	6465 lbs	
DF200	mm	84	229	85	200	103	247	42	45	14	252	51	82	3	2	3280 kg	47 mm 1.87 in
	in	3.31	9.02	3.35	7.87	4.06	9.72	1.65	1.77	0.55	9.92	2.02	82	3	2	7232 lbs	
DF200B	mm	84	229	85	200	103	247	42	45	14	252	51	82	3	3	5767 kg	47 mm 1.87 in
	in	3.31	9.02	3.35	7.87	4.06	9.72	1.65	1.77	0.55	9.92	2.02	82	3	3	12716 lbs	
DF320	mm	103	346	120	320	135	387	52	55	17	393	64	129	3	2	6850 kg	58 mm 2.31 in
	in	4.06	13.62	4.72	12.60	5.31	15.24	2.05	2.17	0.67	15.47	2.53	129	3	2	15104 lbs	
DF320B	mm	103	346	120	320	135	387	52	55	17	393	64	129	3	3	10420 kg	58 mm 2.31 in
	in	4.06	13.62	4.72	12.60	5.31	15.24	2.05	2.17	0.67	15.47	2.53	129	3	3	22976 lbs	
DF500	mm	130	550	150	500	170	552	65	70	18	560	89	138	4	3	14822 kg	85 mm 3.38 in
	in	5.12	21.65	5.91	19.69	6.69	21.73	2.56	2.76	0.71	22.05	3.51	138	4	3	32683 lbs	

## Axles for Double Flange Wheels



Model		A	B	C	D (Axle Dia.)
DFA30	mm	152	14	8	30
	in	5.98	0.55	0.31	1.18
DFA45	mm	181	14	8	45
	in	7.13	0.55	0.31	1.77
DFA55	mm	232	14	8	55
	in	9.13	0.55	0.31	2.17
DFA70	mm	292	17	10	70
	in	11.50	0.67	0.39	2.76

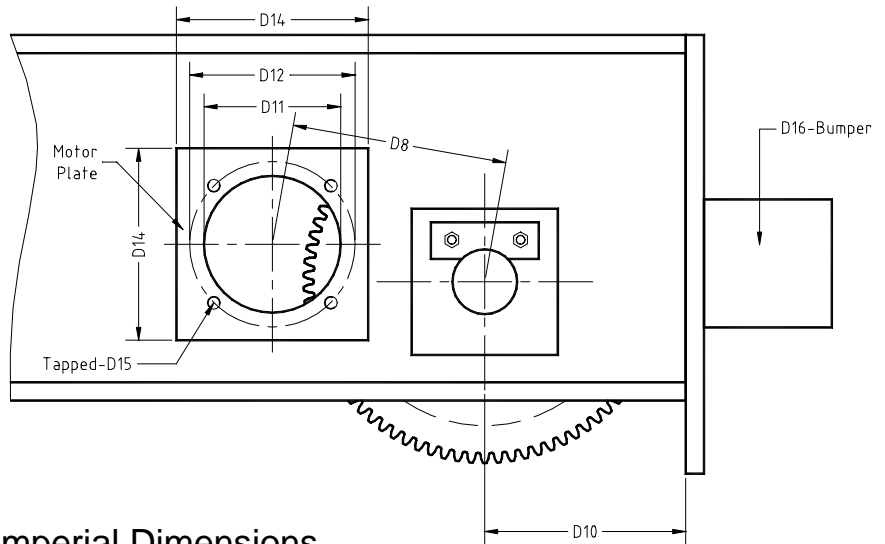
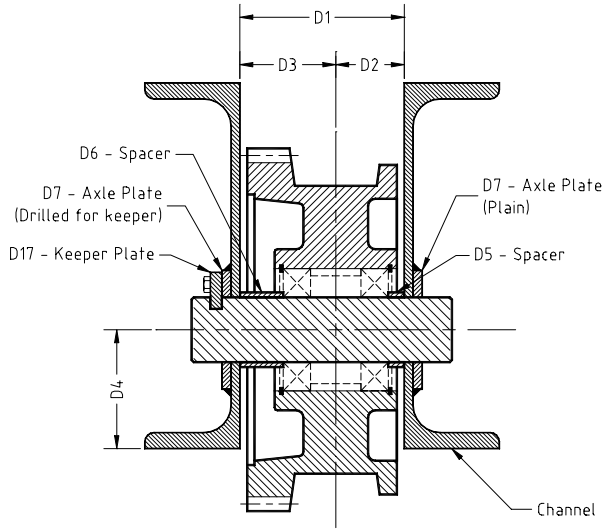
**Pinions**



Model		A	B	C	D	E (Pitch Dia.)	F Available Bores	No. Of Teeth	Module	Suits Wheel Models
<b>M318</b>	mm	60	57	38	42	54	--	18	3	SF130, SF200, SF315, DF120, DF200, DF320
	in	2.36	2.24	1.50	1.65	2.13	0.750, 0.875, 1.000			
<b>M325</b>	mm	81	57	38	50	75	--	25	3	SF130, SF200, SF315, DF120, DF200, DF320
	in	3.19	2.24	1.50	1.97	2.95	0.750, 0.875, 1.000			
<b>M418</b>	mm	80	100	57	60	72	--	18	4	DF500
	in	3.15	3.94	2.24	2.36	2.83	1.000, 1.250			
<b>M425</b>	mm	108	100	57	83	100	--	25	4	DF500
	in	4.25	3.94	2.24	3.27	3.94	1.000, 1.250			

## Crane Wheel Setup

### Double Flange Wheels



### Double Flange Wheel Assembly - Imperial Dimensions

PART NO.	TREAD DIAM.	D1	D2	D3	D4	PART NO. D5	PART NO. D6	PART NO. D7	18T PINION D8	25T PINION D8	D10	PART NO. D16	PART NO. D17
DF120	4.72	4.00	1.69	2.31	1.63	SP1-120	SP2-120	AP02	4.134	4.547	6.00	BP01	KP01
DF200	7.87	4.50	1.86	2.65	3.25	SP1-200	SP2-200	AP03	5.906	6.319	6.50	BP01	KP01
DF320	12.60	6.00	2.33	3.68	5.25	SP1-320	SP2-320	AP04	-	9.094	9.50	BP01	KP01
DF500	19.69	8.00	3.21	4.79	7.50	SP1-500	SP2-500	AP05	-	9.626	15.00	BP01	KP01

### Double Flange Wheel Assembly - Metric Dimensions

PART NO.	TREAD DIAM.	D1	D2	D3	D4	PART NO. D5	PART NO. D6	PART NO. D7	18T PINION D8	25T PINION D8	D10	PART NO. D16	PART NO. D17
DF120	120	102	43	59	41	SP1-120	SP2-120	AP02	105	115	152	BP01	KP01
DF200	200	114	47	67	83	SP1-200	SP2-200	AP03	150	161	165	BP01	KP01
DF320	320	152	59	93	133	SP1-320	SP2-320	AP04	-	231	241	BP01	KP01
DF500	500	203	82	122	191	SP1-500	SP2-500	AP05	-	245	381	BP01	KP01

### Motor Plate - Imperial Dimensions

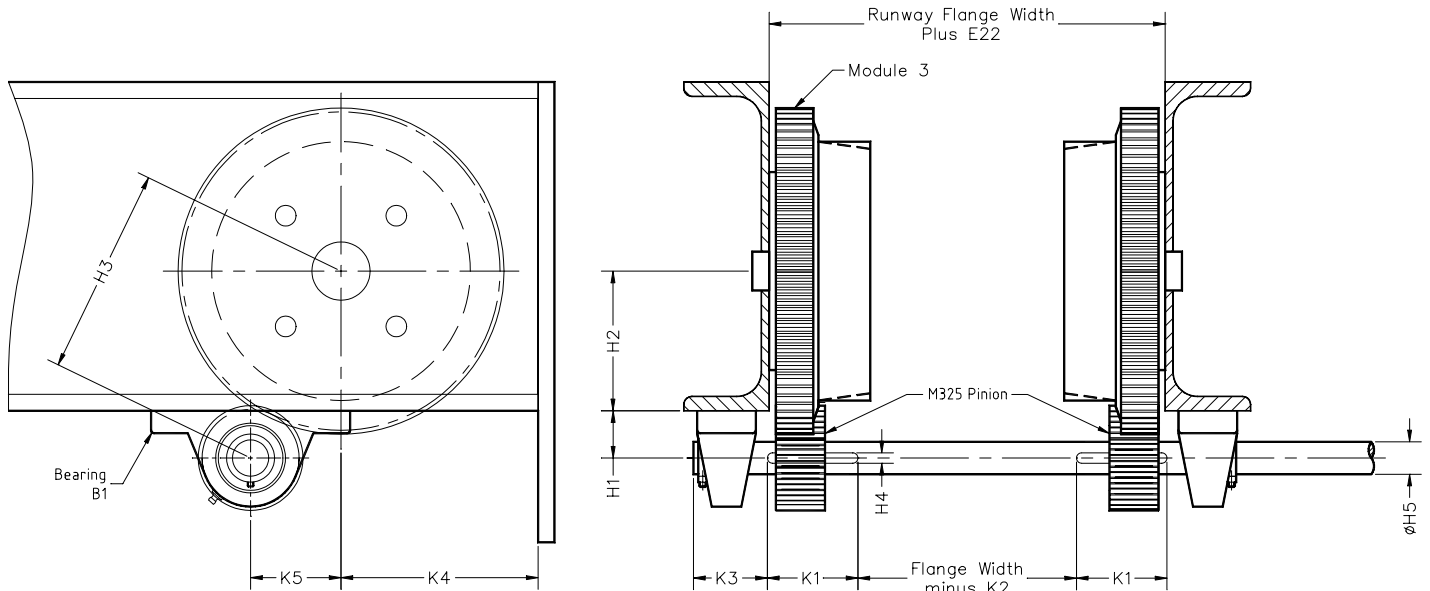
PART NO.	D11	D12	D14	D15
MP140	3.74	4.53	5.50	5/16-18UNC
MP160	4.33	5.12	6.50	3/8-16UNC
MP200	5.12	6.50	8.00	3/8-16UNC

### Motor Plate - Metric Dimensions

PART NO.	D11	D12	D14	D15
MP140	95	115	140	5/16-18UNC
MP160	110	130	165	3/8-16UNC
MP200	130	165	203	3/8-16UNC

## Crane Wheel Setup

### Single Flange Wheels



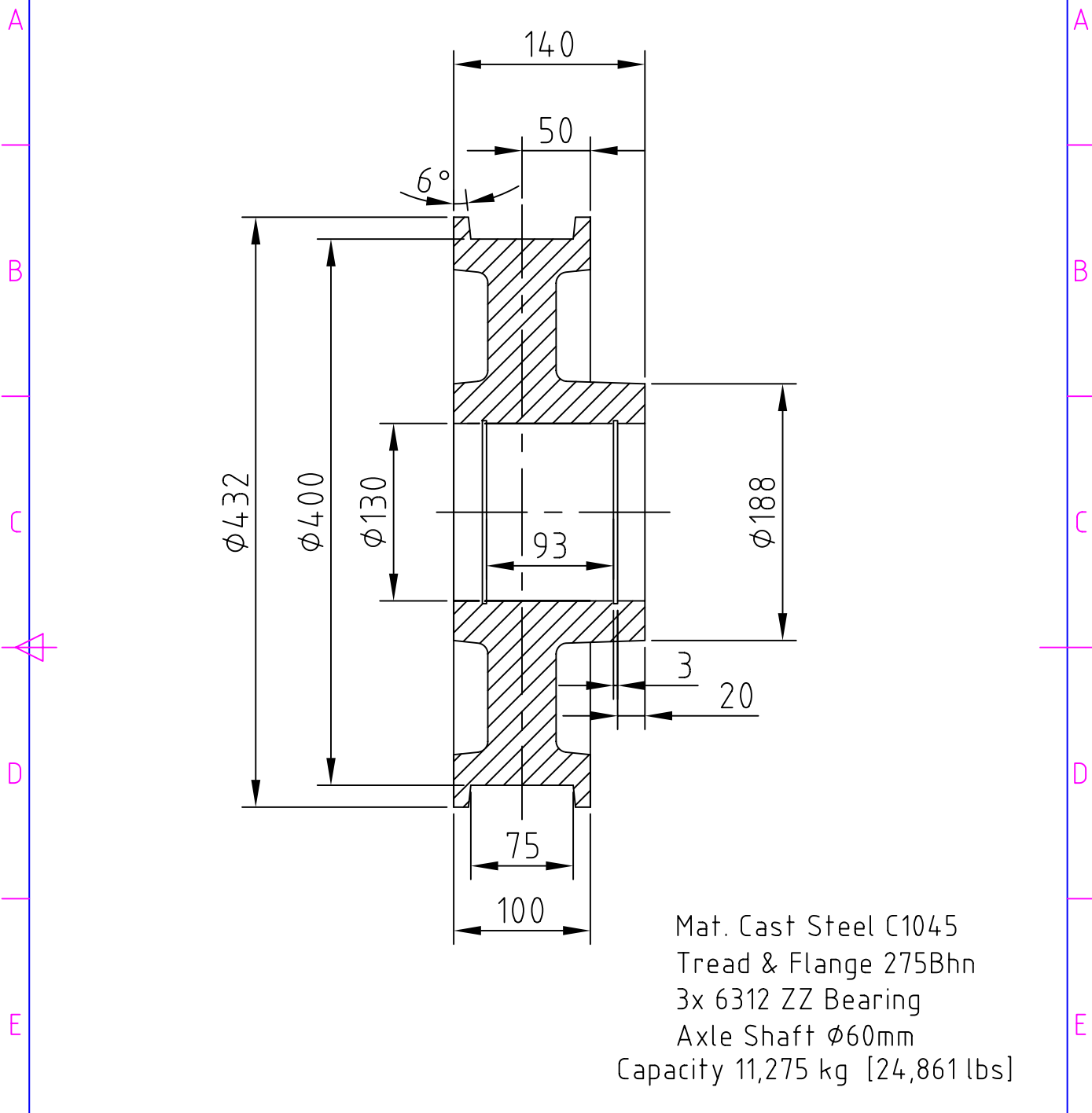
### Single Flange Wheel Assembly - Imperial Dimensions

WHEEL TYPE	TREAD DIA.	E22	H1	H2	WITH M325 PINION H3	H4	H5	K1	K2	K3	K4	K5	PART NO. B1
SF130	5.12	3.25	1.44	3.00	4.55	0.25	1.00	2.75	2.15	2.75	6.0	0.99	UCP205-1
SF200	7.87	3.25	1.44	4.25	6.32	0.25	1.00	2.75	2.15	2.75	6.0	2.75	UCP205-1
SF315	12.40	3.25	1.44	7.50	9.09	0.25	1.00	2.75	2.15	2.75	9.0	1.68	UCP205-1

### Single Flange Wheel Assembly - Metric Dimensions

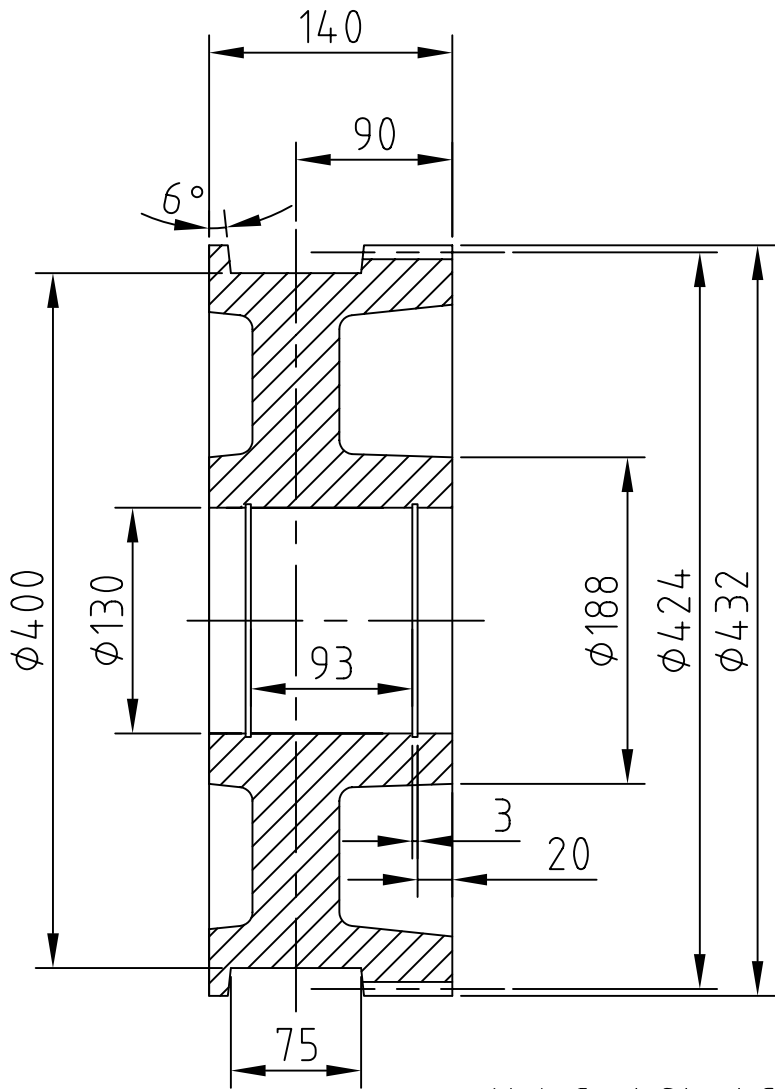
WHEEL TYPE	TREAD DIA.	E22	H1	H2	WITH M325 PINION H3	H4	H5	K1	K2	K3	K4	K5	PART NO. B1
SF130	130	83	36.5	76.2	115.5	8	25	70	55	70	152	25.2	UCP205-25
SF200	200	83	36.5	108.0	160.5	8	25	70	55	70	152	69.9	UCP205-25
SF315	315	83	36.5	190.5	231.0	8	25	70	55	70	229	42.7	UCP205-25

1	RevNo	Revision note	3	Date	Signature	Checked
---	-------	---------------	---	------	-----------	---------



Dim.						
Tol.						
Material: See above			Dimensions in millimeters			
Designed by V. van Lierop	Checked by VVL	Approved by - date July 2000	Filename	Date July 2000	Scale 4:1	
Modular Crane Products Inc. Oakville, Ontario, Canada			DF400BP Crane Wheel Plain			
			400 mm Double Flange	Edition 1	Sheet 1/1	

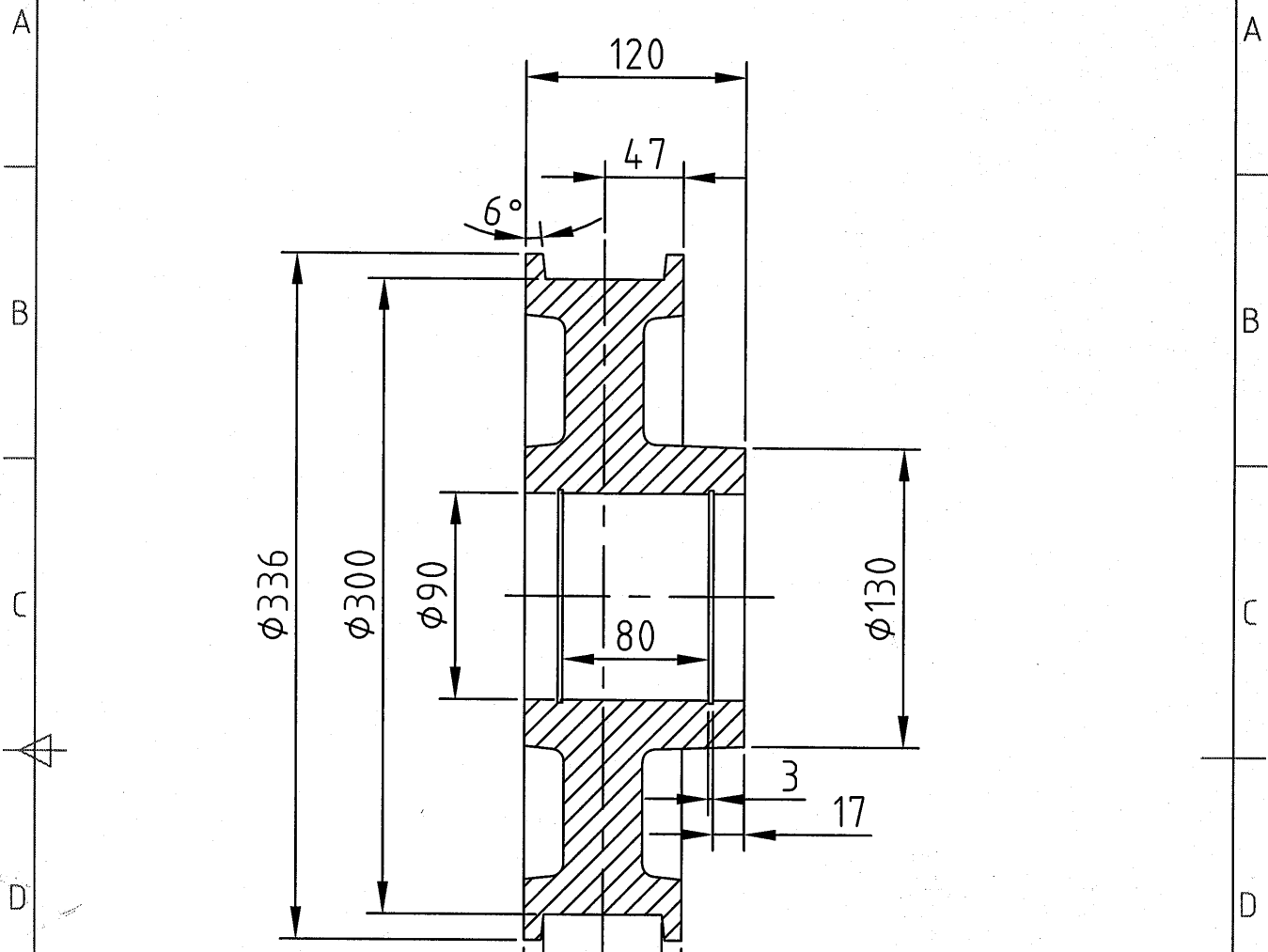
1	2	3	4
RevNo	Revision note	Date	Signature
			Checked



Mat. Cast Steel C1045  
 Tread & Flange 275Bhn  
 3x 6312 ZZ Bearing  
 Module 4 x 106 Teeth  
 Axle Shaft  $\phi 60\text{mm}$   
 Capacity 11,275 kg [24,861 lbs]

Dim.						
Tol.						
Material: See above			Dimensions in millimeters			
Designed by V. van Lierop	Checked by VVL	Approved by - date July 2000	Filename	Date July 2000	Scale 4:1	
Modular Crane Products Inc. Oakville, Ontario, Canada			DF400BG Crane Wheel Geared			
			400 mm Double Flange	Edition 1	Sheet 1/1	

1	2	3	4
RevNo	Revision note	Date	Signature Checked

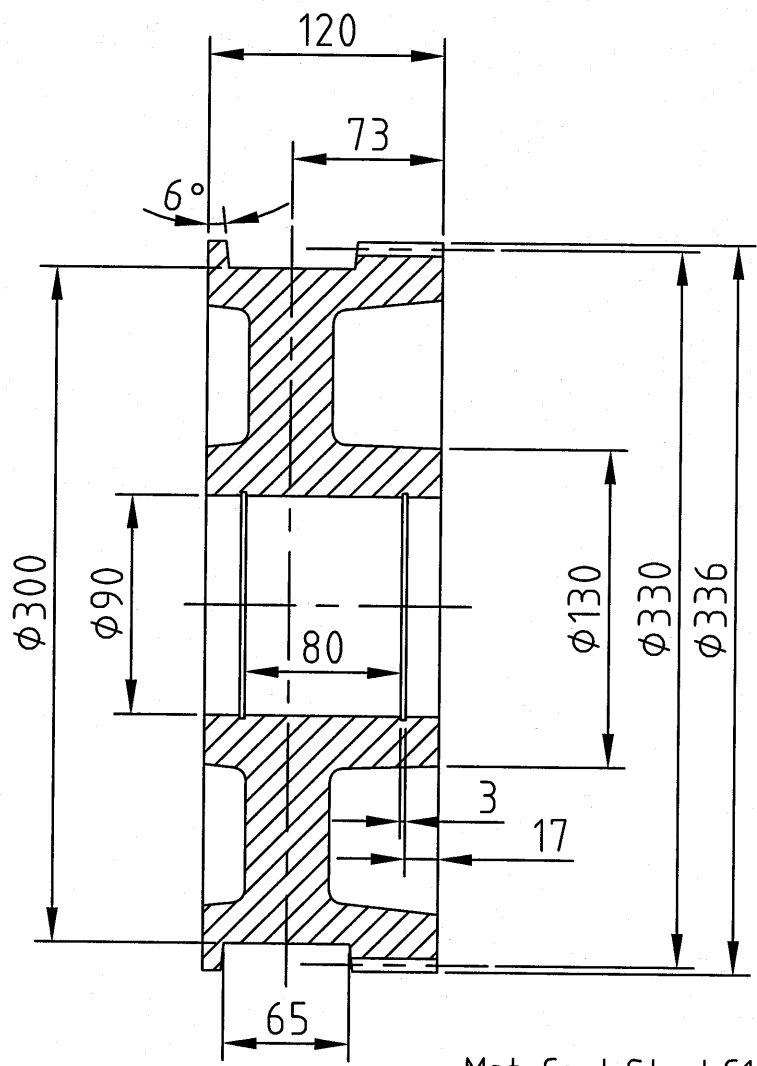


Mat. Cast Steel C1045  
 Tread & Flange 275Bhn  
 3x 6210 ZZ Bearing  
 Axle Shaft  $\phi 50$ mm  
 Capacity 6,680 kg [14,729 lbs]

Dim.							
Tol.							
Material: See above				Dimensions in millimeters			
Designed by V. van Lierop	Checked by VVL	Approved by - date July 2000	Filename	Date July 2000	Scale 4:1		
Modular Crane Products Inc. Oakville, Ontario, Canada				DF300BP Crane Wheel Plain			
				Edition 1	Sheet 1/1		



1	2	3	4
RevNo	Revision note	Date	Signature
			Checked



Mat. Cast Steel C1045  
 Tread & Flange 275Bhn  
 3x 6210 ZZ Bearing  
 Module 3 x 110 Teeth  
 Axle Shaft  $\phi$ 50mm  
 Capacity 6,680 kg [14,729 lbs]

Dim.						
Tol.						
Material: See above			Dimensions in millimeters			
Designed by V. van Lierop	Checked by VVL	Approved by - date July 2000	Filename	Date July 2000	Scale 4:1	
Modular Crane Products Inc. Oakville, Ontario, Canada			DF300BG Crane Wheel Geared			
			Edition 1	Sheet 1/1		