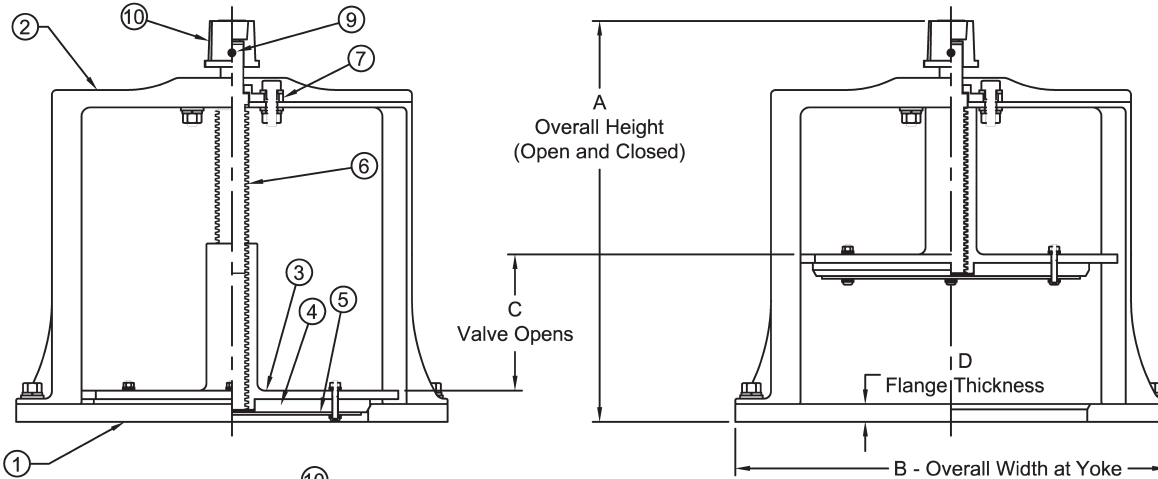


Valve Size (Bore Dia.)	4	6	8	10	12	16	18	20
A - Overall height	8	10-1/2	12-1/2	14-1/2	17	21-1/4	23	25-3/4
B - Width at Yoke	10-1/4	12-5/8	15-1/8	17-3/8	19	25-3/4	27-3/4	27-1/2
C - Valve opening	1-3/4	2-3/4	3-1/2	4-3/4	6	7-1/2	8-1/4	9-1/4
D - Flange thickness	3/4	3/4	3/4	3/4	3/4	3/4	3/4	3/4
Flange O.D.	9	11	13-1/2	16	19	23-1/2	25	27-1/2
Bolt Circle Diameter	7.50	9.50	11.75	14.25	17.00	21.25	22.75	25.00
Bolt Hole Dia.	3/4	7/8	7/8	1	1	1-1/8	1-1/4	1-1/4
Bolt / Stud Size	5/8	3/4	3/4	7/8	7/8	1	1-1/8	1-1/8
Bolts in full Pattern*	8	8	8	12	12	16	16	20
Stem Diameter	1-1/4	1-1/4	1-1/2	1-1/2	1-1/2	1-1/2	1-3/4	1-3/4
Turns to Open	9	15-1/2	20	26	30	20-1/2	23	48-1/2
Weight, pounds	24-1/2	33-1/2	48	65	88	142	186	206

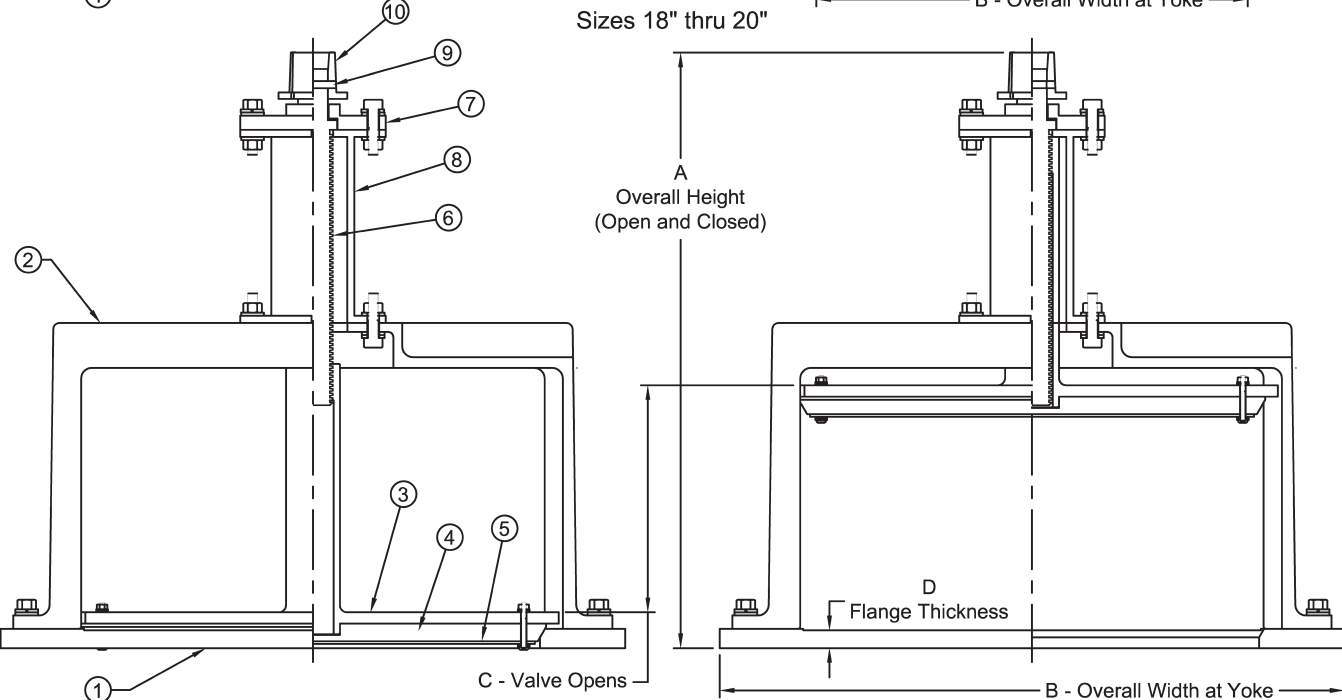
Part	Description
1	Base Flange (Body)
2	Yoke
3	Gate
4	Seat
5	Seat Retainer
6	Stem
7	Guide, Plain
8	Yoke Cylinder (18"+)
9	Spring Pin
10	2" Square Nut

\* Standard 125 pound drilling template, with two holes covered by the Yoke.  
 Flange mounting gasket and fasteners are not included, and must be ordered separately.  
 All items, except for the Seal and the sealing washers are Type 316 Stainless Steel.  
 Seal and sealing washers are SBR.  
 All Fasteners are Stainless Steel, Type 316, ASTM A193, Grade B.  
 Stem is coated and greased to prevent galling.  
 Basin depth in floor for complete draining, 1" minimum.

Sizes 4" thru 16"



Sizes 18" thru 20"



Drawn:	Drawing Revision:	
Date	Rev.	Date
7/24/07	B	12/09/10

Drawn to Scale  
**MUD VALVES - T316SS  
 NON-RISING STEM TYPE**